

New play equipment proposal

1. Replacement for end-of-life flat seat swing – 2.4m Birds Nest Swing:



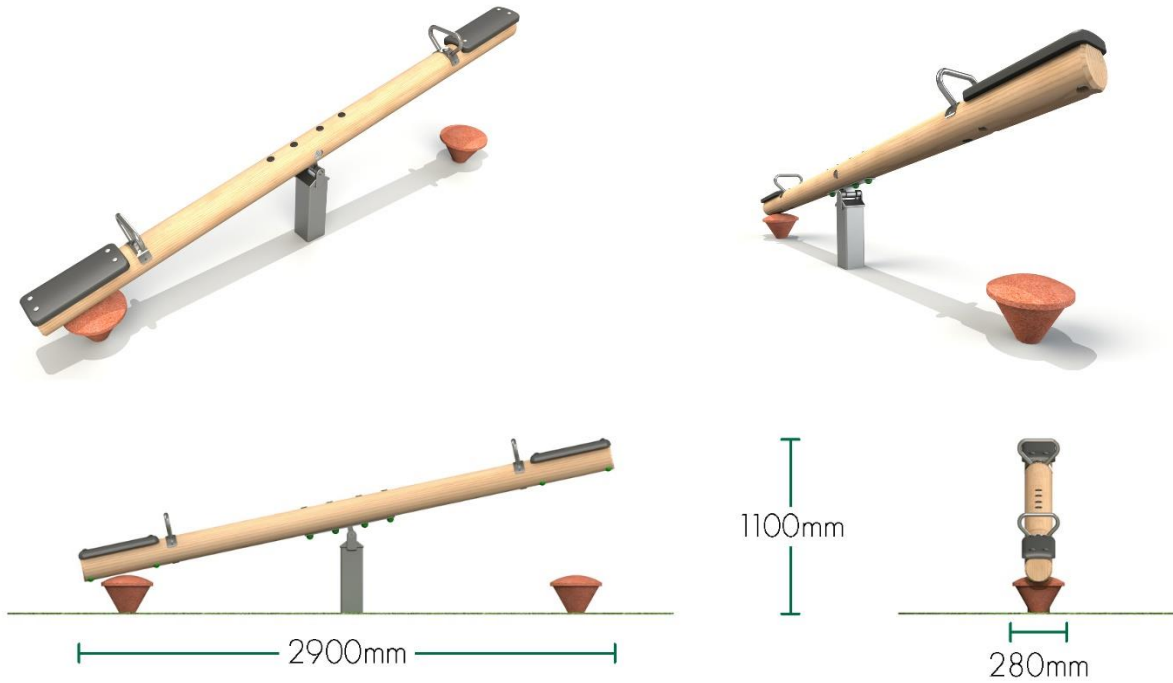
Why a Birds nest swing instead of a flat swing as before?

- Suitable for all ages, from 3 months (!) to adult
- Very suitable for toddler play area
- Seats multiple children
- Within £200 of price of flat seat swing
- Interesting and different
- Wood, so much less corrosion
- Not a direct replacement, so more likely to be allowed to use CIL money

Cost (for identical specification)

- Supplier 1 - **£5426 (ex VAT)** – dependent on also buying see-saw from them, otherwise £6553
- Supplier 2 - **£5494.46 (ex VAT)** – includes 20% discount after negotiation as returning customer

2. New piece of equipment to utilize CIL money – wooden see saw



Why a new see saw?

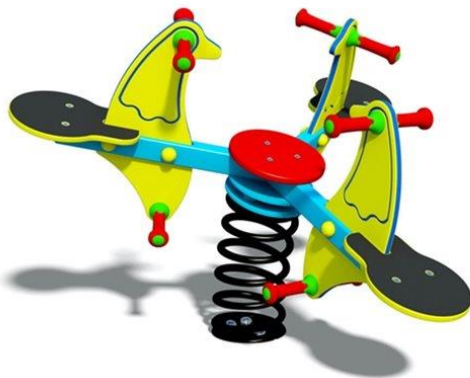
- Good utilization of remaining space in toddler play area
- Wooden construction will resist corrosion and fits in with other equipment
- Interesting and different
- No similar equipment in the village
- Good use of CIL money

Cost: £5293 (ex VAT)

3. Replacement “springy”



2-way: £1085.86



3-way: £1372.50



4-way: £2086.20

- Existing springy is broken beyond repair
- All the above are quoted on a “Supply Only” basis (installation is included within quotation for repairs to play area already approved)
- The one remaining springy carries just one child – all the above seat more
- 30% discount negotiated with supplier